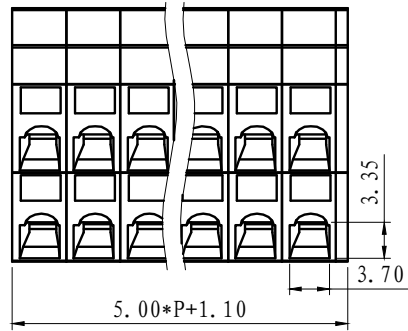
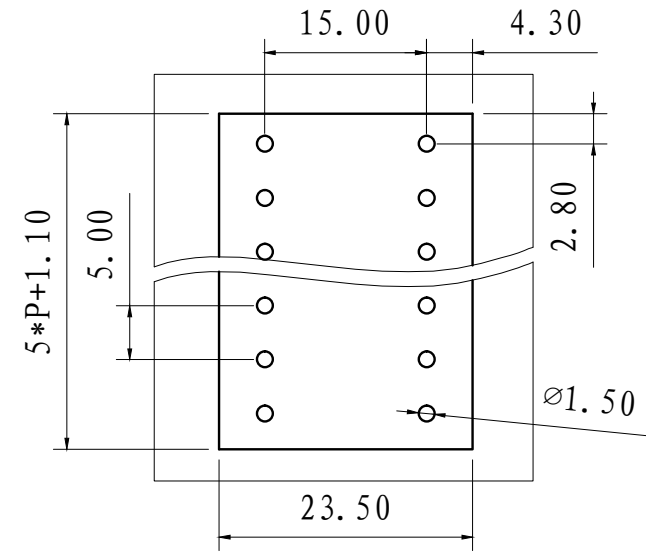
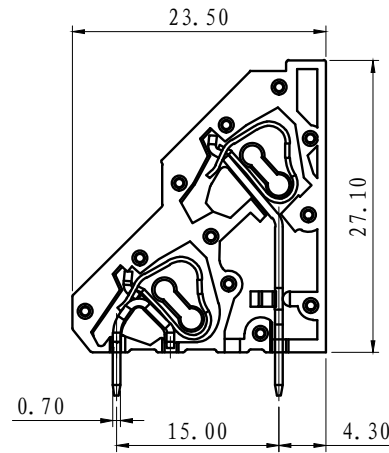
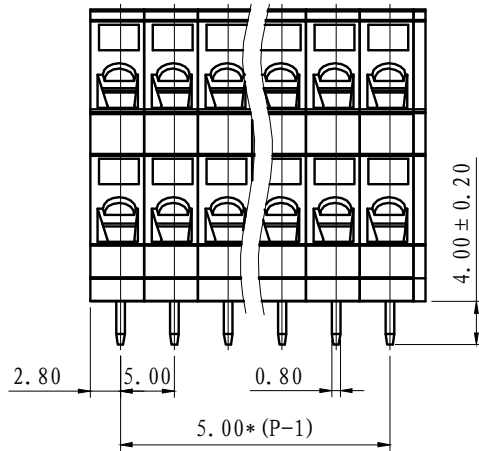


REVISION RECORD			
REV.	CONTENT	MOD.	DATE
△	新发行		



NOTES:
 Pitch : 5.0mm
 Rated Voltage : 300 V
 Rated Current : 10 A
 Withstand Voltage :
 AC2500V for 1 minute
 Insulation Resistance :
 500MΩ / DC500V
 Using Temperature Range :
 -40℃ ~ +105℃
 Wire range : 28-12 AWG
 Stripping length : 6mm

技术要求:
 间距: 5.0mm
 额定电压: 300V
 额定电流: 10A
 耐电压值: AC2500V/min
 绝缘阻抗: 500MΩ/DC500V
 使用条件: -40℃~+105℃
 适用线规: 28~12AWG
 剥线长度: 6mm



	pitch dimension			Nominal dimension					— ▧ ⌒
	over 0 to 6	over 6 to 10	over 10 to 24	over 0 to 30	over 30 to 60	over 60 to 100	over 100 to 150		
variable range	0 to 6	6 to 10	10 to 24	0 to 30	30 to 60	60 to 100	100 to 150	0.05/10	
Tolerance	±0.1	±0.15	±0.25	±0.2	±0.3	±0.5	±0.7 ±1.0	0.05/10	

6	LS245-2-焊脚	3014B0002AV	P	紫铜	镀雾锡
5	LS245-1-焊脚	3014B0001AV	P	紫铜	镀雾锡
4	LS243弹片	F2A0DLS243BV	3P	不锈钢	
3	LS245T-边件	3015A1001AV-1	1	PA66	
2	LS245T-中间件	3015A1001AV	P-1	PA66	
1	LS245T-盖板	3015C1001AV	1	PA66	
NO.	NAME OF PART	NO. OF PART	QTY	MATERIAL	NOTES
DES.	YJX	DATE	2018-05-25	UNITS	mm
CHK.		DATE		SIZE	A4
APP.		DATE		SCALE	1:1
				THIRD ANGLE PROJECT	SHEET
				⊕	1 of 1
				DWG NO.	SP-2-3015001
				REV:	V0
上海有乐电气有限公司 Shanghai YouLe Electric C.O,LTD				TITLE	LS245T-5.0-XXP-1Y-00A LS245T-5.0-成品